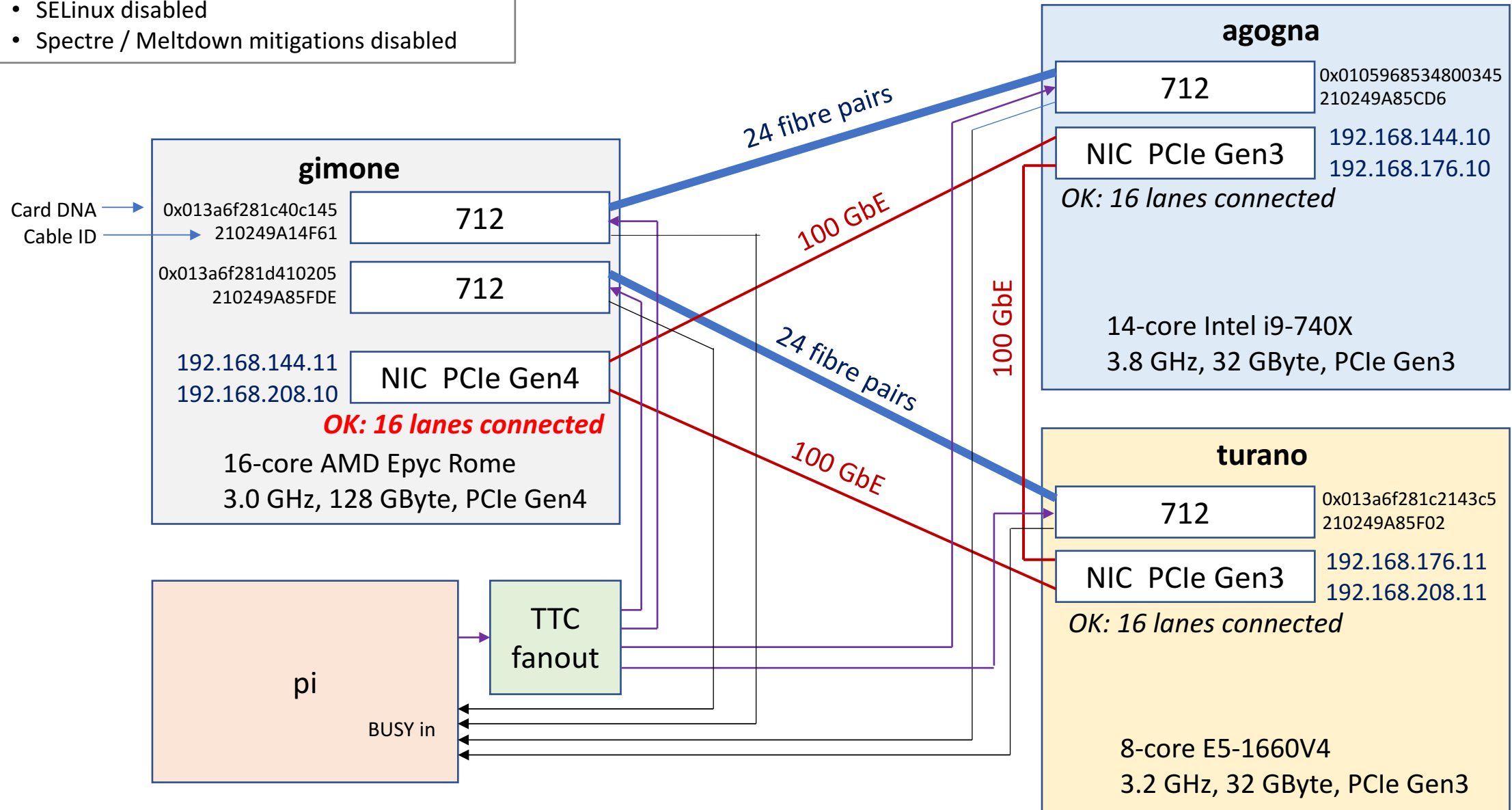


All machines:

- tuned-adm profile: throughput-performance
- SELinux disabled
- Spectre / Meltdown mitigations disabled

Complete scheme

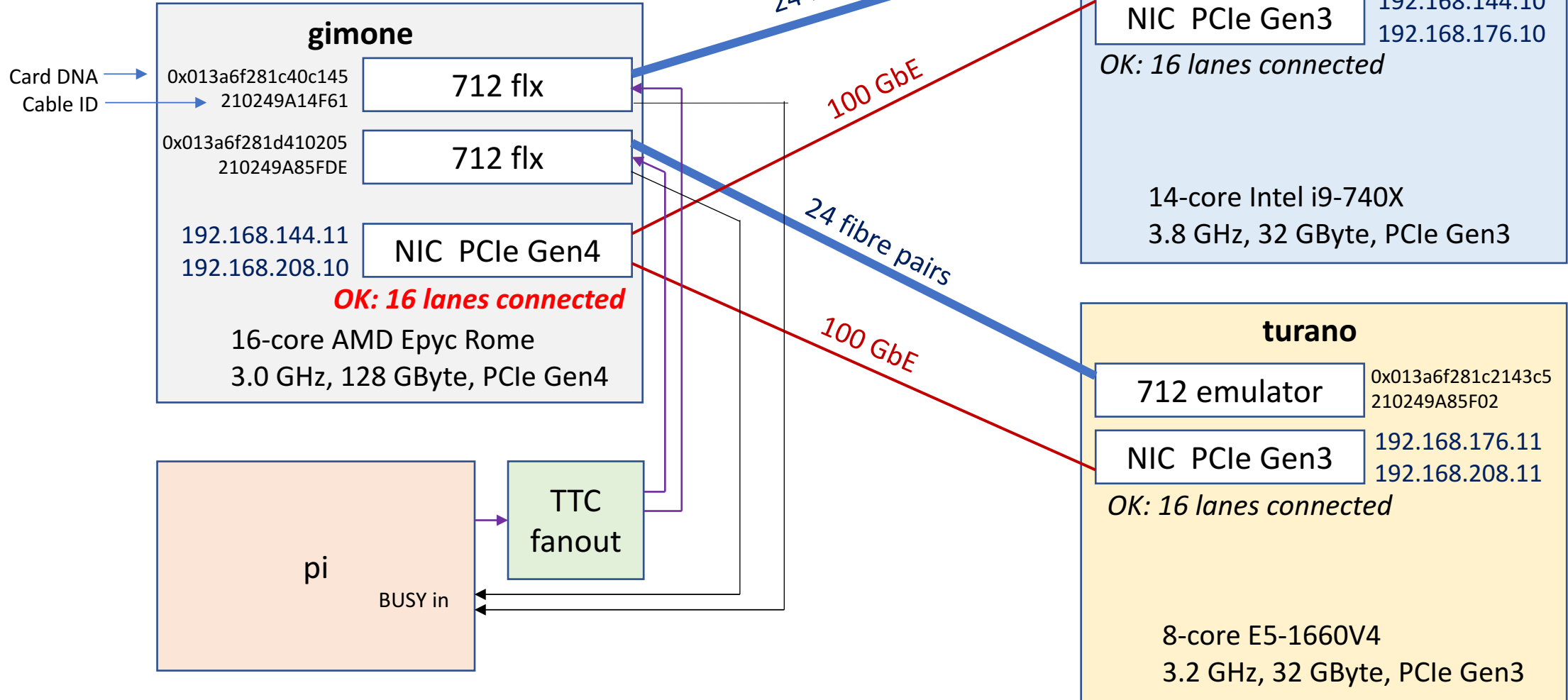


Scenario 1

FELIX server: gimone

data sources : 712s in agogna and turano

gimone forwards data to agogna and / or turano via Ethernet

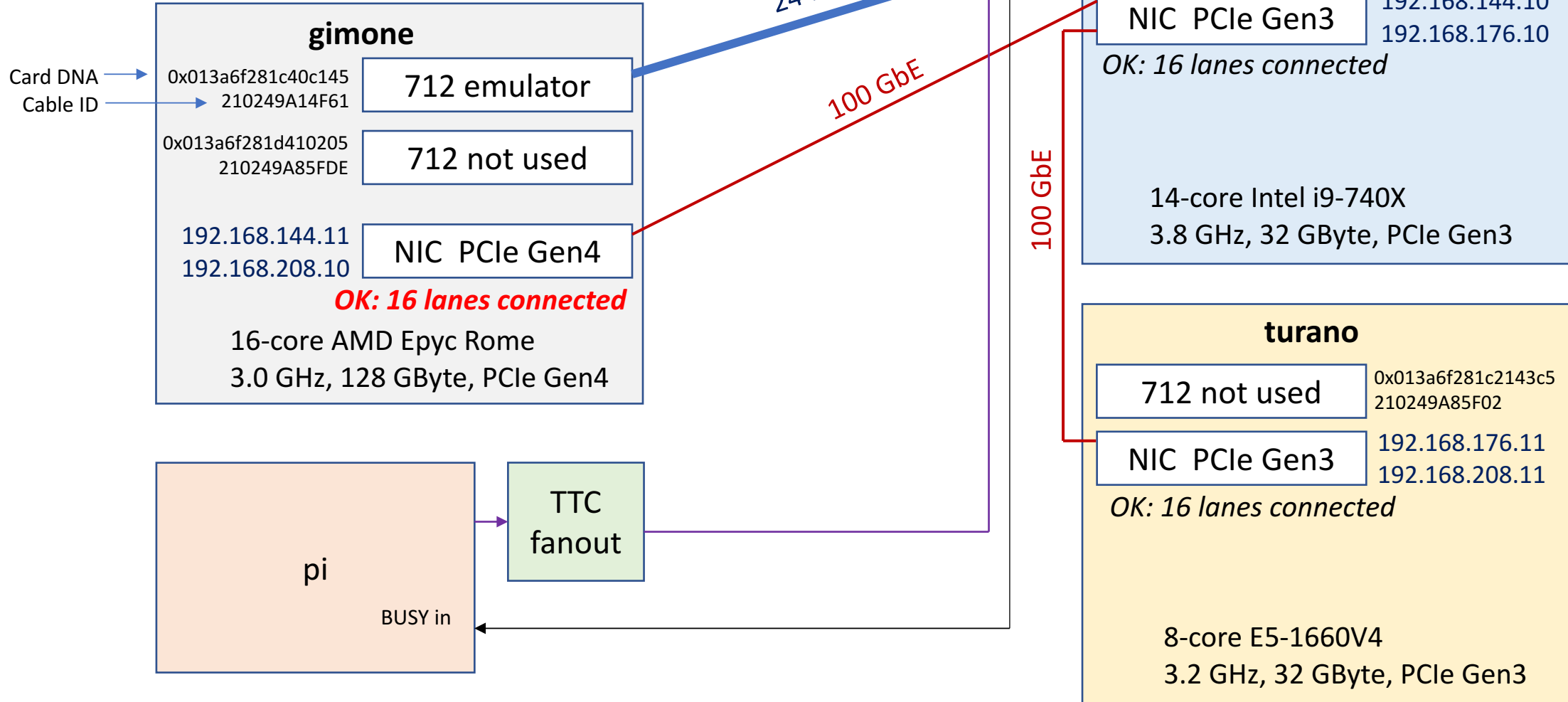


Scenario 2

FELIX server: agogna

data source: 712 in gimone

agogna forwards data to gimone and / or turano via Ethernet



Scenario 3

FELIX server: turano

data source: 712 in gimone

turano forwards data to gimone and / or agogna via Ethernet

